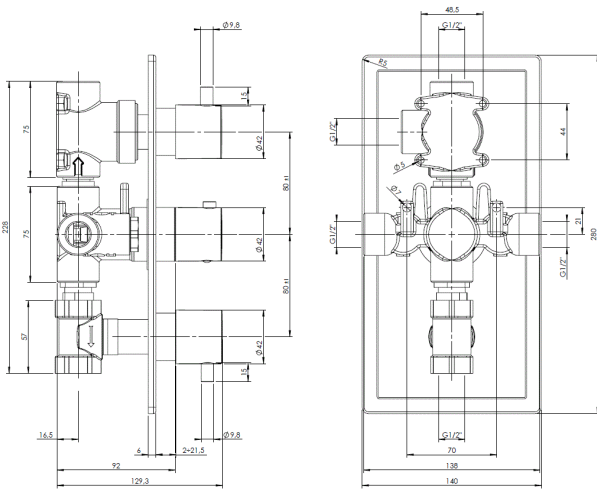


KIRI 3 DIRECTION CONCEALED SHOWER CHROME ABS



CONSTRUCTION: Brass & ABS
CARTRIDGE/VALVE TYPE: Thermostatic
SUPPLY: Suitable for all plumbing systems
INLET CONNECTIONS: 15mm Compression
WORKING PRESSURES: 0.2 - 5.0 bar
OPERATION: Separate Flow And Temperature Controls

- Diverter cartridge to two outlets and separate stopcock for bathfill
- 38°C temperature hot stop with override facility
- ABS concealing plate
- Front access filters - No need to disconnect shower from water supply during maintenance
- Concealed shower spindle extension available
- Can be purchased as Separate Valve and Trims - VALVE 3D & TR KIRI 3DA

KIRI 3DA

Chrome

Open Outlet Flow (Bar - l/min)

BAR	0.3	0.5	1.0	2.0	3.0	4.0	5.0
FLOW	11.9	16.1	21.5	29.7	36.3	42	45.8



1805396



Please Note: Flow rate will be dictated by installation configurations.
 Please ensure to check the appropriate flow restrictor information if applicable.
 *Please refer to website for full warranty details.

FREEPHONE: 0800 195 1602 | FAX ORDERS: 08444 068 690 | EMAIL: SALES@UK.METHVEN.COM

methven.com

THE INFORMATION ON THIS SPECIFICATION DOCUMENT WAS CORRECT AT THE DATE OF ISSUE. SOME VARIATION MAY OCCUR DUE TO THE MANUFACTURING TOLERANCES AND SITE SPECIFIC CONDITIONS.