



Thermostatic

Dynamic Thermostatic Bath Shower Mixer with Rail Kit

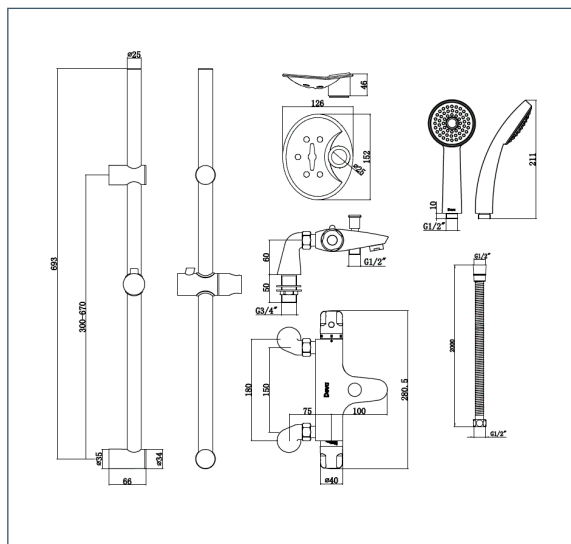
Product Code: DYN 106

Finish: Chrome

Features

Construction:	Brass & ABS
Valve/Cartridge type:	Thermostatic
Supply:	Suitable for high pressure only
Working Pressures:	1.0 - 5.0 bar
Inlet connections:	3/4" BSP

- 1/4 turn ceramic handles ensure a smooth operation
- Riser rail features adjustable brackets-ideal for retrofit
- Single mode handset
- Double interlocked 1.5m hose



*Please refer to website for full warranty details.

Flow (Bar - l/min, open outlet)

Spout

Flow 0.1	Flow 0.3	Flow 0.5	Flow 1.0	Flow 2.0	Flow 3.0	Flow 4.0	Flow 5.0
3.8	7.2	9.4	13.5	19.2	23.5	27.0	30.4

Handset

2.5	7.2	9.0	13.0	15.0	19.0	21.0	24.0
-----	-----	-----	------	------	------	------	------

