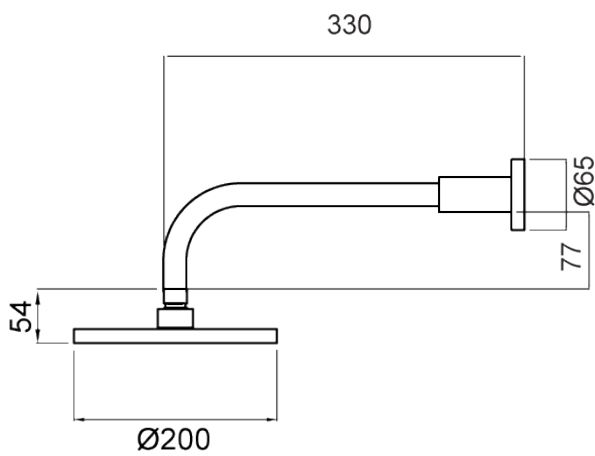


## WALL MOUNTED SHOWER ARM AND HEAD



**CONSTRUCTION:** Stainless steel/ABS

**INLET CONNECTIONS:**  $\frac{1}{2}$ " BSP

- Rub clean nozzles
- Brass, adjustable ball joint connection
- Single function round Matte Black faceplate

KSABK

Matte Black



Please Note: Flow rate will be dictated by installation configurations.  
Please ensure to check the appropriate flow restrictor information if applicable.  
\*Please refer to website for full warranty details.

**FREEPHONE: 0800 195 1602 | FAX ORDERS: 08444 068 690 | EMAIL: SALES@UK.METHVEN.COM**

[methven.com](http://methven.com)

THE INFORMATION ON THIS SPECIFICATION DOCUMENT WAS CORRECT AT THE DATE OF ISSUE. SOME VARIATION MAY OCCUR DUE TO THE MANUFACTURING TOLERANCES AND SITE SPECIFIC CONDITIONS.