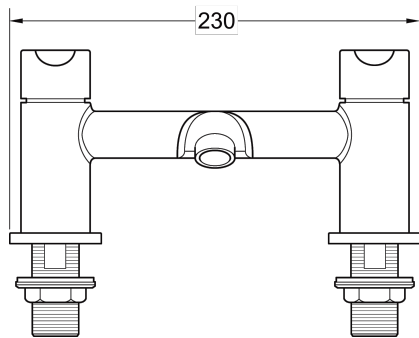
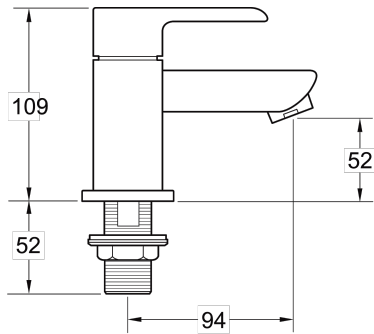


## KEA BATH FILLER



**CONSTRUCTION:** Brass  
**CARTRIDGE/VALVE TYPE:** Ceramic Disc  
**SUPPLY:** Suitable for all plumbing systems  
**INLET CONNECTIONS:** 3/4" BSP  
**WORKING PRESSURES:** 0.3 - 5.0 bar  
**OPERATION:** Separate Flow And Temperature Controls

- 1/4 turn ceramic handles ensure a smooth operation
- Supplied with metal backnuts
- Products which are easy to use by all the family

**KEBFCPUK**

**Chrome**

### Open Outlet Flow (Bar - l/min)

<b>BAR</b>	0.3	0.5	1.0	2.0	3.0	4.0	5.0
<b>SPOUT FLOW</b>	19.8	26.2	37.8	54.2	66.8	N/A	N/A



Please Note: Flow rate will be dictated by installation configurations.  
 Please ensure to check the appropriate flow restrictor information if applicable.  
 \*Please refer to website for full warranty details.

**FREEPHONE: 0800 195 1602 | FAX ORDERS: 08444 068 690 | EMAIL: SALES@UK.METHVEN.COM**

[methven.com](http://methven.com)

THE INFORMATION ON THIS SPECIFICATION DOCUMENT WAS CORRECT AT THE DATE OF ISSUE. SOME VARIATION MAY OCCUR DUE TO THE MANUFACTURING TOLERANCES AND SITE SPECIFIC CONDITIONS.