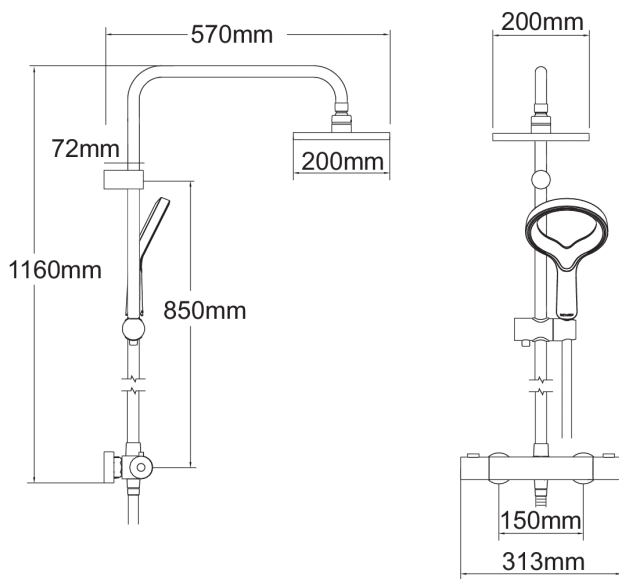


AIO COOL TO TOUCH BAR SHOWER WITH DIVERTER



CONSTRUCTION: Brass & ABS
CARTRIDGE/VALVE TYPE: Thermostatic
SUPPLY: Suitable for high pressure only
INLET CONNECTIONS: 15mm Compression
WORKING PRESSURES: 1.5 - 5.0 bar
OPERATION: Separate Flow And Temperature Controls

- Limescale resistant handset - hydrophobic properties resists the build up of limescale
- Safe cool to touch body
- 38°C temperature hot stop with override facility
- Eco flow control with override facility
- Includes easy fit connections
- Smooth easy clean 1.5m hose
- Fixed head and Aurajet handset both supplied with 9 l/min flow regulator

AOKCTSDEF

Chrome

Open Outlet Flow (Bar - l/min)

BAR	0.3	0.5	1.0	2.0	3.0	4.0	5.0
HANDSET FLOW	8.6	10.1	9	9	9	9	9
OVERHEAD FLOW	2.5	4.2	6.8	10.2	12.7	14.9	16.8



1702024



Please Note: Flow rate will be dictated by installation configurations.
 Please ensure to check the appropriate flow restrictor information if applicable.
 *Please refer to website for full warranty details.

BC1852/0217

FREEPHONE: 0800 195 1602 | FAX ORDERS: 08444 068 690 | EMAIL: SALES@UK.METHVEN.COM

methven.com

THE INFORMATION ON THIS SPECIFICATION DOCUMENT WAS CORRECT AT THE DATE OF ISSUE. SOME VARIATION MAY OCCUR DUE TO THE MANUFACTURING TOLERANCES AND SITE SPECIFIC CONDITIONS.