

## Warranty Information

Proof of purchase will be required.

The guarantee does not cover faults or damage caused by incorrect installation and/or maintenance, ordinary wear and tear, water composition, etc.

\*Please see [www.deva-uk.com](http://www.deva-uk.com) for full terms and conditions of warranty

## Cleaning

Your product has a high-quality finish and should be treated with care to preserve the visible surfaces. Never use abrasives or abrasive cleaning agents to clean this product clean regularly with contamination free warm water and a damp soft cloth. Do not use products containing chlorine bleach or hydrochloric acid as these can damage the product.

We have a policy of continuous improvement and reserve the right to change specifications without notice.

METHVEN UK LIMITED  
METHVEN EXPERIENCE CENTRE  
3/3A STONE CROSS COURT  
YEW TREE WAY  
GOLBORNE  
WARRINGTON  
WA3 3JD  
UNITED KINGDOM

INST-MOS106  
V2 27.02.2024

TEL: 0800 195 1602  
FAX: 0844 406 8690  
EMAIL: [sales@uk.methven.com](mailto:sales@uk.methven.com)  
[www.deva-uk.com](http://www.deva-uk.com)  
[www.methven.com](http://www.methven.com)

# Moselle Bath Shower Mixer

Chrome

MOS106

Installation Guide

## Technical Specification

### Working Pressure:

Min: 0.2 Bar

Max: 5.0 Bar

### Operating Temperature:

Hot: 65°C

Cold: 5°C

### Inlet Connections:

3/4" BSP

### Features:

- Suitable for high & low pressure systems
- 1/4 turn durable ceramic discs
- Includes single mode handset, 1.5m metal hose and wall bracket
- Tap Height 144mm,
- Spout Height 88.5mm
- Spout Reach 120.5mm
- Brass backnuts



Please keep these instructions for future reference and request of replacement parts

## Contents

General Safety Information	3
Line Drawing	3
Product Breakdown	4
Product Breakdown	4
Installation Requirements	6
Installation	6
Troubleshooting	7
Warranty Information	8
Cleaning	8

## Troubleshooting

Symptom	Cause(s)	Resolution
Mixer not turning on	Mains water supply turned off	Turn on the mains water supply
	Closed isolation valve	Open isolation valve
No hot water	Cold override	Check if the pressure is balanced. Fit pressure equalising valve.
Low flow rate/no flow	Water supply failure	Investigate water supply, check plumbing and heating system for any faults
	Partially closed isolation valve	Open isolation valve
	Air lock or partial blockage in the supply pipework or hoses	Flush through pipework to ensure removal of debris and any airlocks
	Water being drawn off elsewhere causing pressure changes or instantaneous boiler temperature changes. Ensure minimum pressure is being met.	Try not to use other water outlets when using the mixer
Water dripping from the mixer	This is normal for a short time after using the mixer	This is due to residual water tension, the build up of water in the mixer spout.
	If water continues to drip, possible issue with the flow control cartridge.	Please contact our customer care team
Movement of fitted mixer	Back nuts loose	Ensure Back nuts are sufficiently tightened
	Extra support may be required depending on the surface the tap is fitted to.	Please contact customer care to purchase top hat washers.

## Installation Requirements

Before commencing installation of the new product, ensure that the system has been flushed to remove any debris, which could cause damage to the valves and invalidate the warranty.

### Installation

- 1, Remove the metal backnuts (13) and backnut washers (12) from the 3/4" BSP Threaded Connection (11).
- 2, Place the threaded connection (11) through the holes in the bath and position ensuring that the base plate (8) and base plate washers (9) are correctly positioned, fully covering the mounting holes.
- 3, Place backnut washer (12) onto threaded connection (11) between bath unit and backnut (13), under the bath, and screw up until the tap is secured in position (do not overtighten). Please note additional sealant can be used if required.
- 4, Connect the water supply pipes to the threaded connection (11) and tighten, an adequate sealing method should be used to create a watertight seal.
- 5, Identify a suitable location for the wall bracket (27), so that the 1.5m shower hose (26) will not be under tension when fitted. Attach to the wall bracket (27) using either the plugs and screws supplied or other suitable fittings for the specific installation.
- 6, Fit a hose washer into each end of the hose, connect one end to the handset (25) and the other end to the hose connection joint (22) on the mixer.
- 7, Reinstate the water supply and test for leaks.

## General Safety Information

Please read all of the instructions before installation.

Methven recommends this product is installed by a competent person in compliance with all relevant regional regulations.

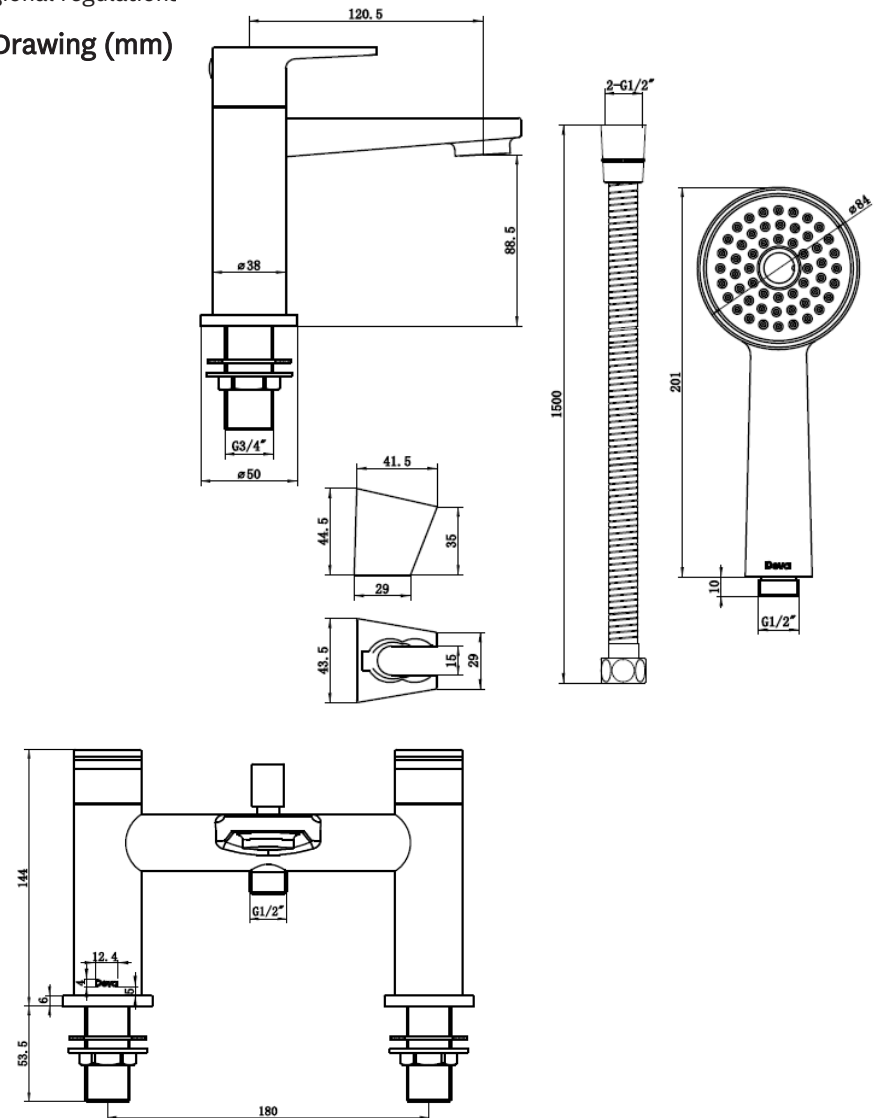
Remove all packaging and check the components for damage before starting installation.

This product **must** not be modified in any way as this will invalidate the guarantee.

It is the responsibility of the installer to ensure a waterproof seal is achieved, after installation all connections must be checked for leaks.

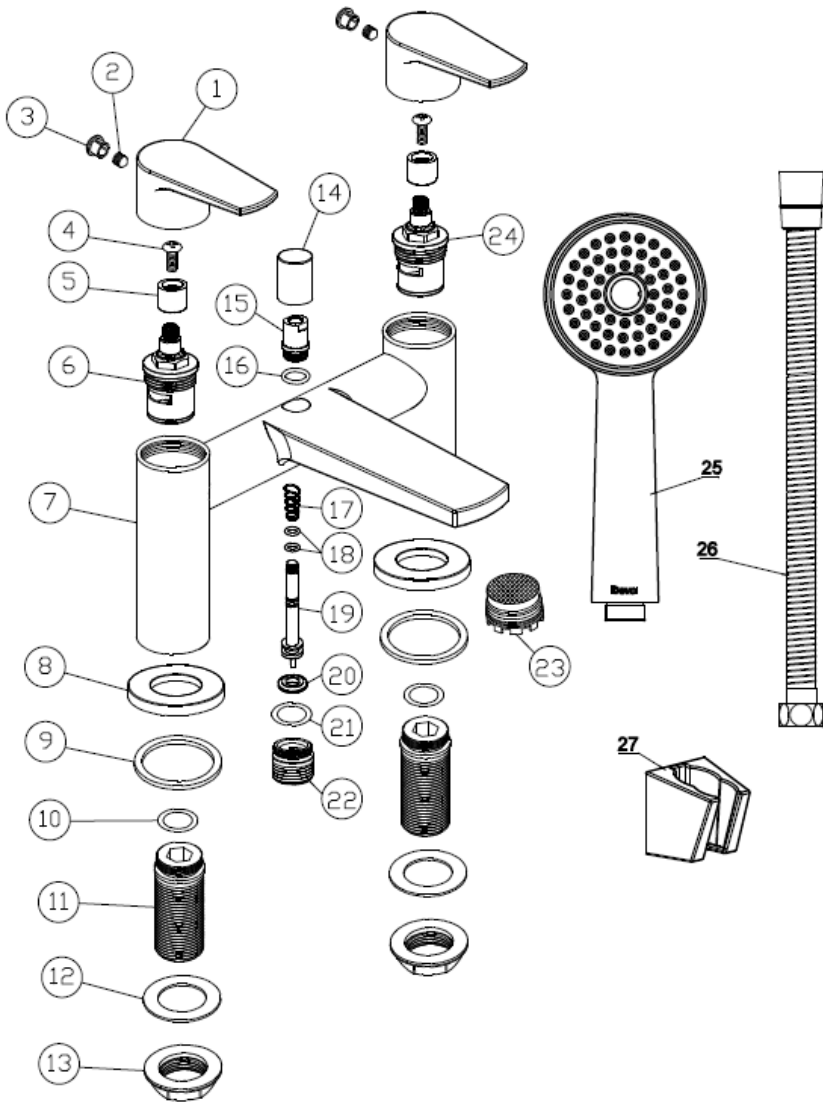
All outlets used primarily for personal hygiene shall deliver water at a safe temperature as per regional regulations

### Line Drawing (mm)



## Product Breakdown

Check all components are present prior to starting installation.



Item Number	Item Description
1	Handle
2	Grub Screw
3	Grub Screw Cap
4	Screw
5	Handle Insert
6	¼ Turn Ceramic Disc - Hot
7	Bath Shower Mixer Body
8	Base Plate
9	Base Plate Washer
10	O-Ring
11	¾" BSP Threaded Connection
12	Backnut Washer
13	Backnut Metal
14	Diverter Cap
15	Diverter Valve
16	O-Ring
17	Spring
18	O-Ring
19	Diverter Core
20	Washer
21	O-Ring
22	Hose Connection Joint
23	Aerator
24	¼ Turn Ceramic Disc - Cold
25	Handset
26	1.5m Shower Hose
27	Wall Bracket