



Madrid

Madrid Pull Out Kitchen Rinsers Tap - Matte Black

Product Code: MDR118BK

Finish: Matte Black

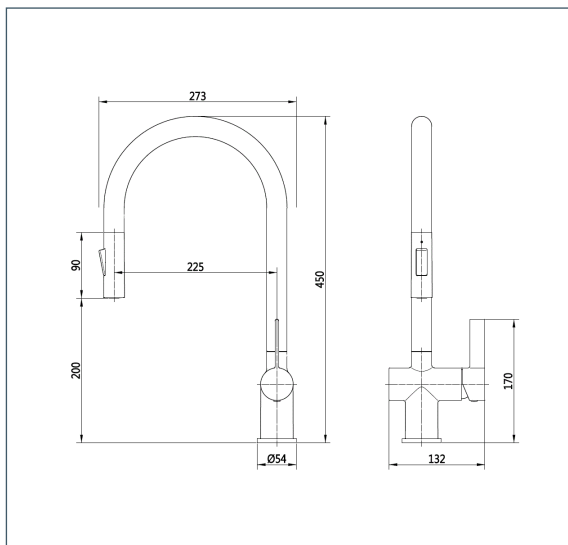
Features

- Construction:** Brass
- Valve/Cartridge type:** 35mm Ceramic Cartridge
- Supply:** Suitable For High Pressure Systems
- Working Pressures:** 0.5 - 5.0 bar
- Inlet connections:** 1/2" BSP
- Flexi or Copper:** Flexi Tails - M10 - 400mm

Long Life 35mm Ceramic Cartridges
 Single Tilt And Turn Lever For Both Temperature And Flow Control
 Pre-Fitted Flow Straightener
 Tap Height 450mm,
 Spout height 200mm
 Spout Reach 225mm
 Swivel Spout
 Supplied with 2 x 400mm Flexi Tails
 Waste Not Included
 5 Years Warranty On The Outer Finish



*Please refer to website for full warranty details.



Flow (Bar - l/min, open outlet)

Spout

Flow 0.1	Flow 0.3	Flow 0.5	Flow 1.0	Flow 2.0	Flow 3.0	Flow 4.0	Flow 5.0
1.5	2.3	3	4.4	6.2	7.7	9	10

