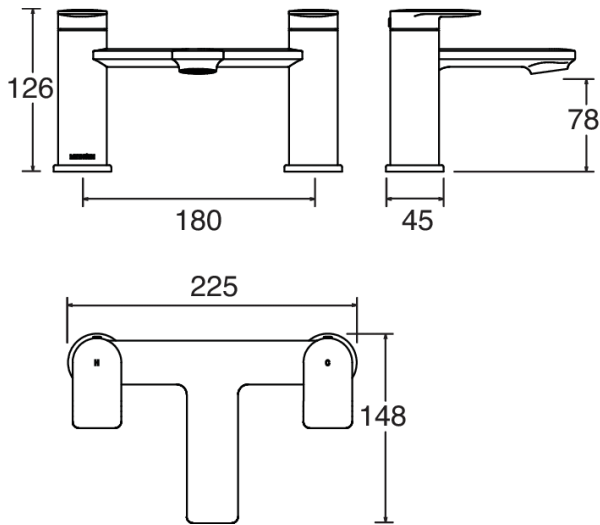


TASMAN BATH FILLER CHROME



- Chrome
- Matte Black

CONSTRUCTION: Brass
CARTRIDGE/VALVE TYPE: Ceramic Disc
SUPPLY: Suitable For All Plumbing Systems
INLET CONNECTIONS: 3/4" BSP
WORKING PRESSURES: 0.1 - 5.0 bar
OPERATION: Separate Flow And Temperature Controls

- Sleek And Ergonomic Contemporary Design
- Ceramic Disc Handles Ensure A Smooth Operation
- Products Which Are Easy To Use By All The Family

TMBFCP

Open Outlet Flow (Bar - l/min)

BAR	0.3	0.5	1.0	2.0	3.0	4.0	5.0
SPOUT FLOW	15.4	19.9	28.1	39.8	48.9	56.5	62.5

Chrome



2110701



2110347



Please Note: Flow rate will be dictated by installation configurations.
 Please ensure to check the appropriate flow restrictor information if applicable.
 *Please refer to website for full warranty details.

FREEPHONE: 0800 195 1602 | FAX ORDERS: 08444 068 690 | EMAIL: SALES@UK.METHVEN.COM

methven.com

THE INFORMATION ON THIS SPECIFICATION DOCUMENT WAS CORRECT AT THE DATE OF ISSUE. SOME VARIATION MAY OCCUR DUE TO THE MANUFACTURING TOLERANCES AND SITE SPECIFIC CONDITIONS.