



Dynamic

Thermostatic Pillar Mounted Bath Shower Mixer

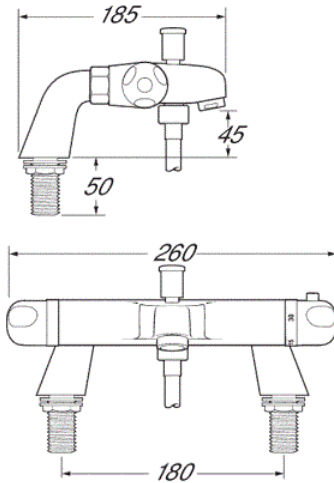
Product Code: DYN106NK

Finish: Chrome

Features

- Construction: Brass & ABS
- Valve/Cartridge type: Thermostatic
- Supply: Suitable For All Plumbing Systems
- Working Pressures: 0.3 - 5.0 bar
- Inlet connections: 3/4" BSP

· Thermostatic Valve With 38°C Temperature Stop (With Override)



*Please refer to website for full warranty details.

Flow (Bar - l/min, open outlet)

Spout

Flow 0.1	Flow 0.3	Flow 0.5	Flow 1.0	Flow 2.0	Flow 3.0	Flow 4.0	Flow 5.0
3.8	7.9	11	15.9	22.8	28	32.5	36.1

Handset

0	0	0	0	0	0	0	0
---	---	---	---	---	---	---	---



2104905



NSF2460/0421